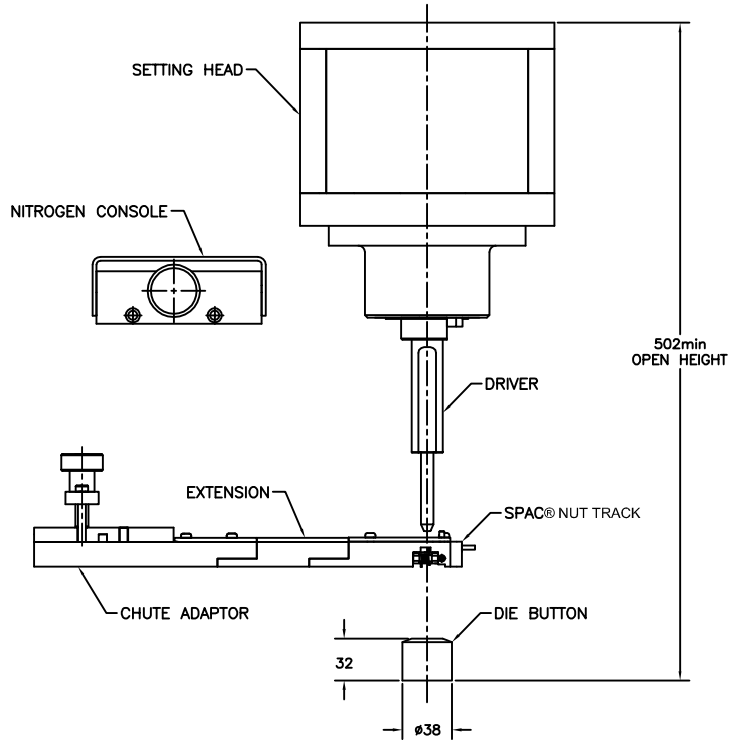
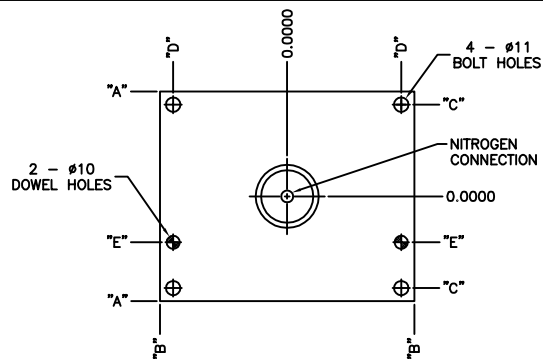
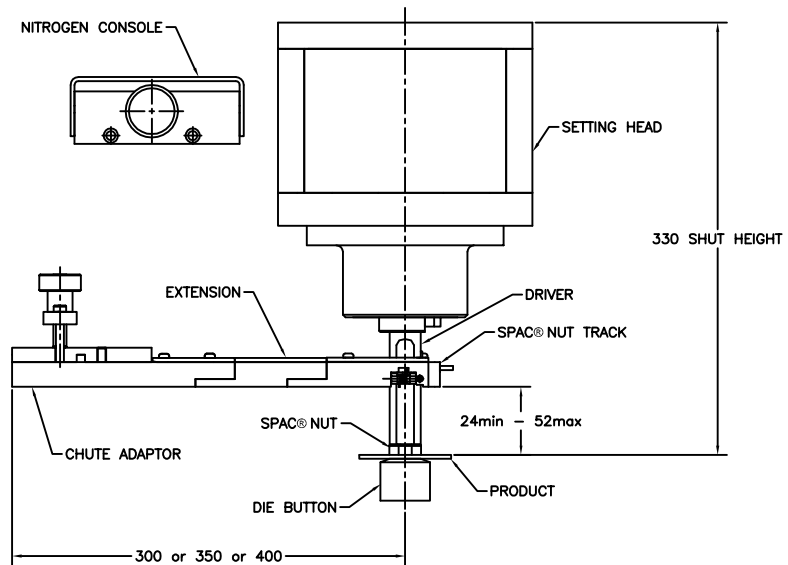


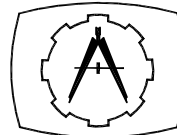
	HIGH	MED.	LOW
A	80	65	50
B	97	82	70
C	70	55	40
D	87	72	60
E	35	20	5



	LBS. SETTING FORCE
HIGH	12,000 - 42,000
MED.	8,000 - 27,000
LOW	5,000 - 17,000



STANDARD SPAC® NUT
TOP DOWN
PIERCE & CLINCH TOOLING



J-TECH
DESIGN LTD

35 Samnah Crescent
Ingersoll, Ontario
Canada N5C 3J7



RB&W®
A Park-Ohio Company

SPAC® PRODUCT INTEGRATOR